





Dimensions of the print data

We offer large format banners in fixed and free sizes. Please create the file according to your format selection on the product page (please note the Information „Print dimensions“ in the description). The banner will be produced in several parts from a certain width. If you want to have the motif divided at a preferred section, please note the details in the comment field. Otherwise, we will divide the motif for optimal separation. **Please note:** Banner with fixed sizes are always delivered with grommets and with reinforced hem starting from a size over 2 m².

Example common sizes (always with grommets)



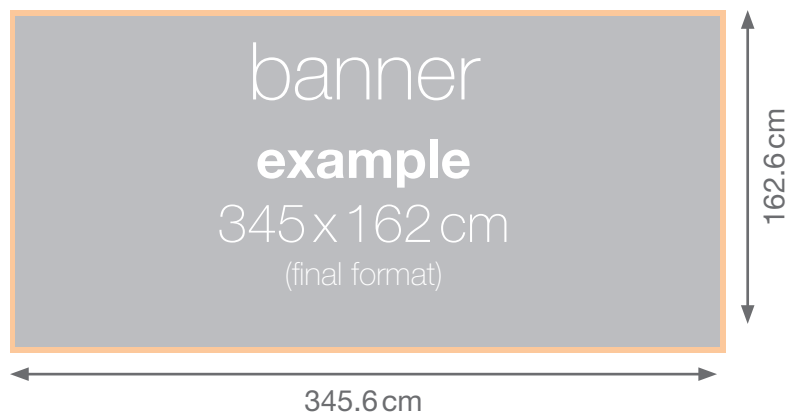
Summary

-  File format incl. 3 mm bleed
Example: 200.6 x 100.6 cm
-  Visible final format
Example: 200 x 100 cm

Important

Please create the data **without** bleed and cropmarks. Further information can be found on [page 4](#). Further Information for the selected finishing can be found on [page 2](#).

Example custom sizes (with grommets, only cut or hem)



Examples and recommendation

File format to be created

Create your chosen print size (see product page) incl. circumferential trim of 3 mm.

- Example: 300 x 100 cm = 300.6 x 100.6 cm
- Example: 460 x 200 cm = 460.6 x 200.6 cm

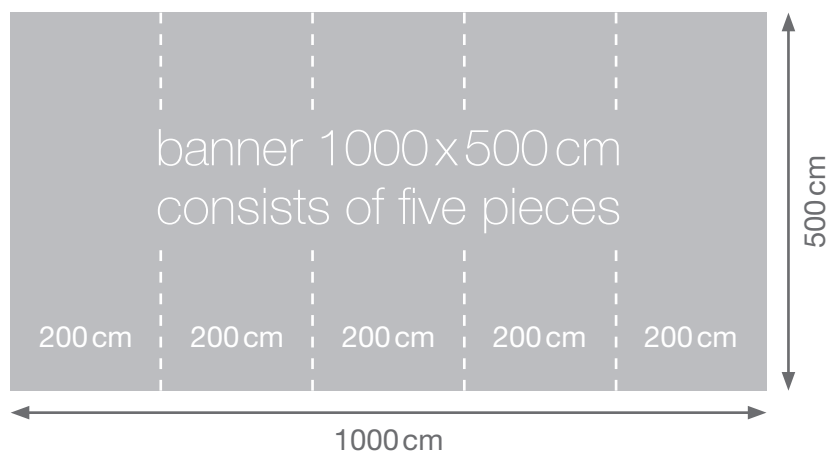
Our recommendation

We recommend to not place any important elements such as writing or logos in the trim or grommet area, as these could be cut off or left out.



Printing width / division of the banner

We are able to print a **height of 310 cm and a width of 5.000 cm (50m)** in one part without partition. If the shortest side exceeds a measurement of 310 cm the vinyl banner will be produced in several equal sized parts and weld together to one banner.



Example of division

Banner sized 1000 x 500cm so the division will consist of 5 separate parts, each 200cm, which will be weld vertically together.

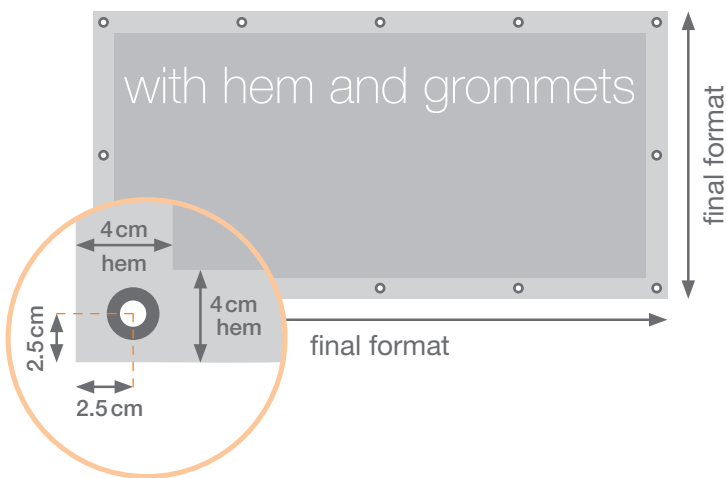


Manufacturing custom sizes



cut without grommets

Please order the banner in the final format



with hem and grommets

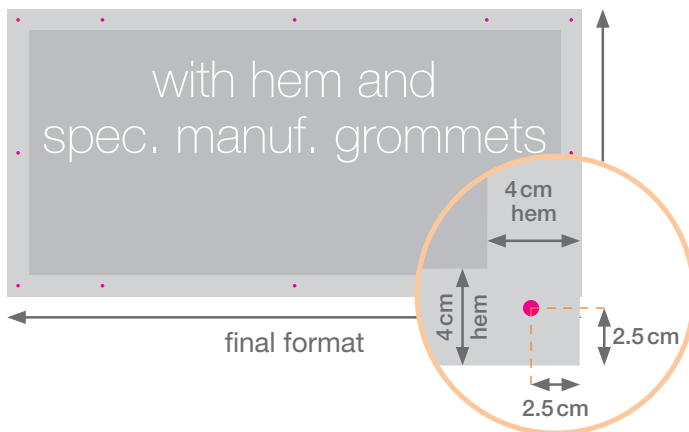
The distance between the eyelets will vary depending on the size of your banner. Therefore we strongly recommend not to install the mounting before the banner has been delivered.



4 cm safety space:

This area will be used for the eyelets.

We recommend a safety space of 4 cm from all sides for text, logos or other important elements. All data are for a non scaled files.



with hem and special manufacturing grommets

If you wish a placement for your eyelets which is different from the standard positions please create a file with markings for the eyelets on the required positions direct in the printing file (Ø 0,5 cm in **100% magenta***). The center of the eyelet-circle has to be 2.5 cm from the final size away. *If your motif is magenta or red, you can also use **Cyan 100%**.

Wichtig: The spot color must named as „grommets“



4 cm safety space:

This area will be used for the eyelets. We recommend a safety space of 4 cm from all sides for text, logos or other important elements. All data are for a non scaled files.



with hem

The example shows a hemstitch at the top. The remaining sides are manufactured without reinforced hem, trimmed to ordered size only.



Advices to mount banners with grommets.

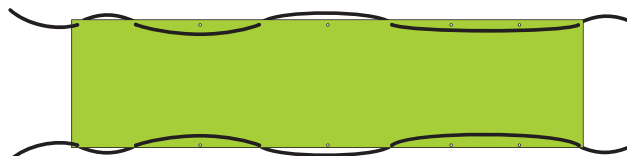
In our onlineshop you can find many accessories and suspension-sets for your banner.



grommets every 50cm



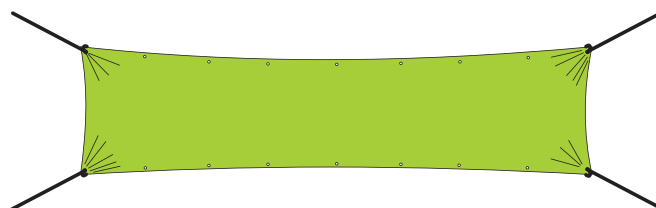
Please use all grommets for mounting the banner. Just in this case an optimal and long durability can be ensured.



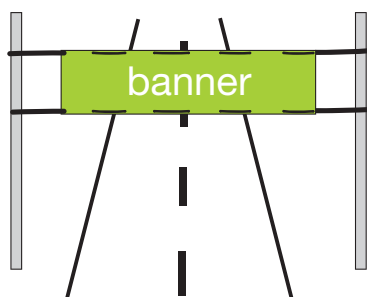
Skipping grommets compromise the stability and time of durability.



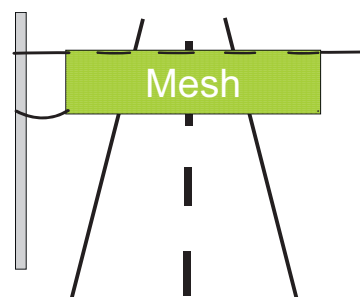
Only if all grommets are used the load will be evenly distributed.



If only a few grommets will be used (e.g. only the corner grommets) the material may yield under the weight. High risk of tearing out of the grommets is given.



We recommend not to hang the banner on an open place without protection from the rear. The material would be exposed permanently to wind. For a mounting on open space we recommend the permeable to air "Mesh" banner.



If you have no other option, please hang up the banner as shown above (fig. shows a Outdoor Mesh banner). Tense the banner by using the upper eyelet row. Then fix the banner with one eyelet in the lower corner, and leave this expander rope „loose“, this is only to prevent a turn of the banner in the wind.



It is advisable to install the banner in front of facades, fences, balconies, or roofs to avoid the wind load.

Further information

- Durability:** Depending on intensity of solar radiation and place of installation, on average of 2 years, a maximum of 4 years. In extreme cases 1 year, e.g. when installation flat on a roof.
- Storage:** We recommend to store and transport the banner rolled (if possible) and store it in a dry place. Folded transportation and storage can result in creases and wrinkles.
- Maintenance:** Only with water.



File settings

Format:	final format or scaled (e.g. 1:2)
Resolution:	ratio 1:1 96-150 dpi
	ratio 1:2 192-300 dpi
	ratio 1:10 960-1500 dpi
Bleed:	3mm
Crop marks:	no
Overprint:	deactivated
Fonts:	embedded or converted to paths
Do not use:	clipping paths, alpha channels, masks



File formats

Please use:
- PDF X-3*

*important notice

These file formats can be created in a variety of different programs with different attributes. This way, numerous errors may occur: for instance missing or incorrect fonts, color anomalies, missing images etc. To avoid this **please create your data as a print-ready PDF / X-3:2002.**



Colors

Color mode: CMYK
Color profile: ISO Coated v2, Coated Fogra 27/39

Do not use:
RGB and spot colors such as Pantone, HKS and RAL as they will be converted to CMYK. We cannot guarantee color accuracy for converted colors.

Proof:
Color adjustments done in the RIP software or at the printer are not possible. If color accuracy is of importance, feel free to order a proof beforehand.



File upload



Upload to our server

www.werbecenter-onlineshop.de

Please sign up for an online account and upload the files for the ordered product to your latest order number.



Notes

- Print and production tolerance will be 0,25%
- We can't guarantee measurements exact to the millimeter
- Depending on color profile, file format and print material, colors may vary