

“Ceiling sign board”

double-sided, incl. grommets

How to create your print-ready files



File settings

Format:	final format or scaled (e.g. 1:2)
Resolution:	ratio 1:1 96–150 dpi ratio 1:2 192–300 dpi ratio 1:10 960–1500 dpi
Bleed:	5 mm
Crop marks:	no
Overprint:	deactivated
Fonts:	embedded or converted to paths
Do not use:	clipping paths, alpha channels, masks in PSD



File formats

Digital- and large format printing:

- PDF X-3*, TIFF, JPG, PSD (flattened to background layer), EPS*, AI*

*important notice

The marked file formats can be created in a variety of different programs with different attributes. This way, numerous errors may occur: for instance missing or incorrect fonts, color anomalies, missing images etc. **To avoid this please create your data as a print-ready PDF / X-3:2002.** Also, feel free to send or upload a preview (JPG) of your original file for comparison.



Colors

Color mode: CMYK
Color profile: ISO Coated v2, Coated Fogra 27/39

Do not use:

RGB and spot colors such as Pantone, HKS and RAL as they will be converted to CMYK. We cannot guarantee color accuracy for converted colors.

Proof

Color adjustments done in the RIP software or at the printer are not possible. If color accuracy is of importance, feel free to order a proof beforehand. You can, for example, create a file with different color swatches showing different versions of the color with corresponding CMYK values. Then, we produce a color binding preprint on the original material with original colors. Afterward, you still have the opportunity to adjust your printing file.



Notes

- Print and production tolerance will be 0,25%
- We can't guarantee measurements exact to the millimeter
- Depending on color profile, file format and print material, colors may vary

File upload



Upload to our server

www.werbecenter-onlineshop.de
Please sign up for an online account and upload the files for the ordered product to your latest order number.



E-mail

daten@werbecenter-berlin.de



Postal

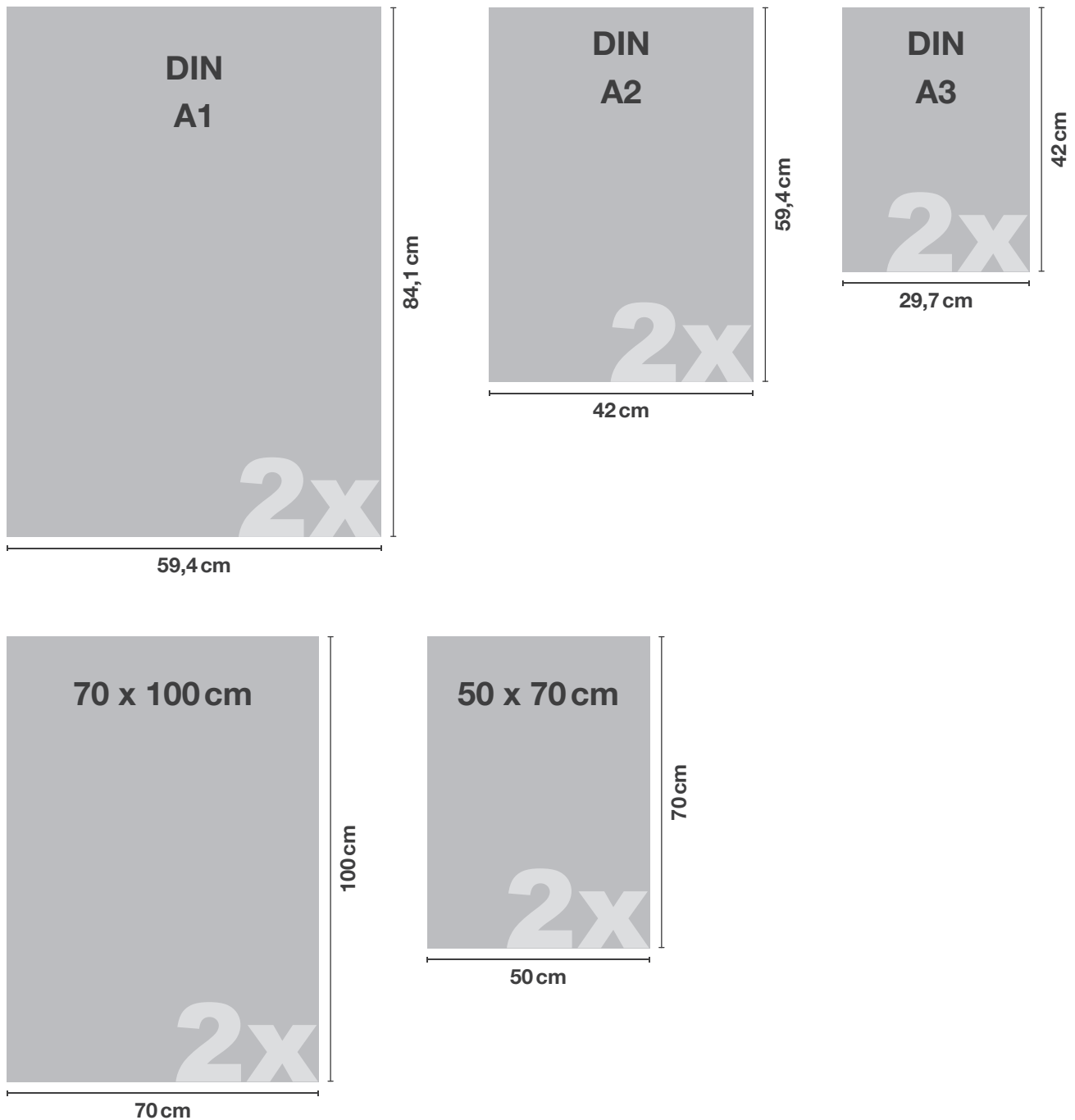
Advertising & Displays
Werbecenter-Berlin GmbH
Zitadellenweg 26b
D-13599 Berlin
Germany

“Ceiling sign board”

double-sided, incl. grommets

How to create your print file

Please create the data with bleed (see next pages), but without crop and trim marks.

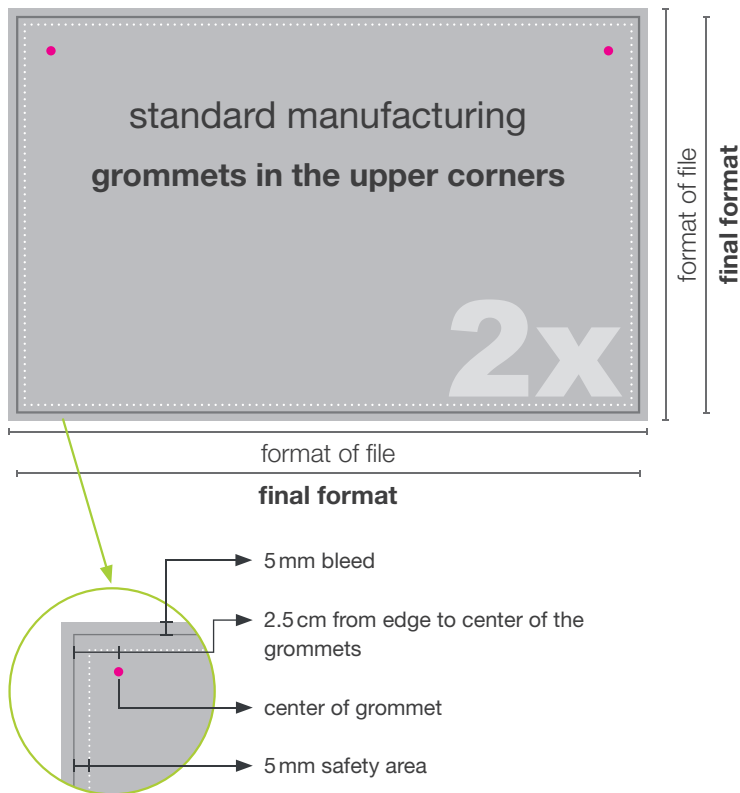


“Ceiling sign board”

double-sided, incl. grommets

How to create your print file

Standard manufacturing grommets in the upper corners



Please order the sign board in the final format.

Please create your artwork in the final format with a bleed of 5 mm on all sides. Crop and trim marks are not needed.

Double-sided printing:

Double-sided printing is the standard method for this product. Therefore feel free to send us two different artworks in a zipped folder or a two-sided PDF file. We will print your motif on both sides if you send only one artwork. Please leave a note with the order if you prefer an one-sided ceiling banner.

Safety area:

We recommend a safety space of 5 mm from all sides for text, logos or other important elements. We can't guarantee measurements exact to the millimeter.

Drill hole:

Every ceiling sign board will be produced with grommets in the upper corners so you can easily hang it beneath the ceiling with a rope or something similar. The center of the grommet has a distance of 2.5 cm from the edge. The diameter of the grommets is approximately 1.5 cm. Please do not place any important elements such as logos or text in this area. Background graphics or colors should be spread to the edges and be included in the bleed.

Custom manufacturing of grommets:

If you wish a different placing of the grommets which differs from standard manufacturing please create a file with markings for the grommets. You will find all information on the following page.

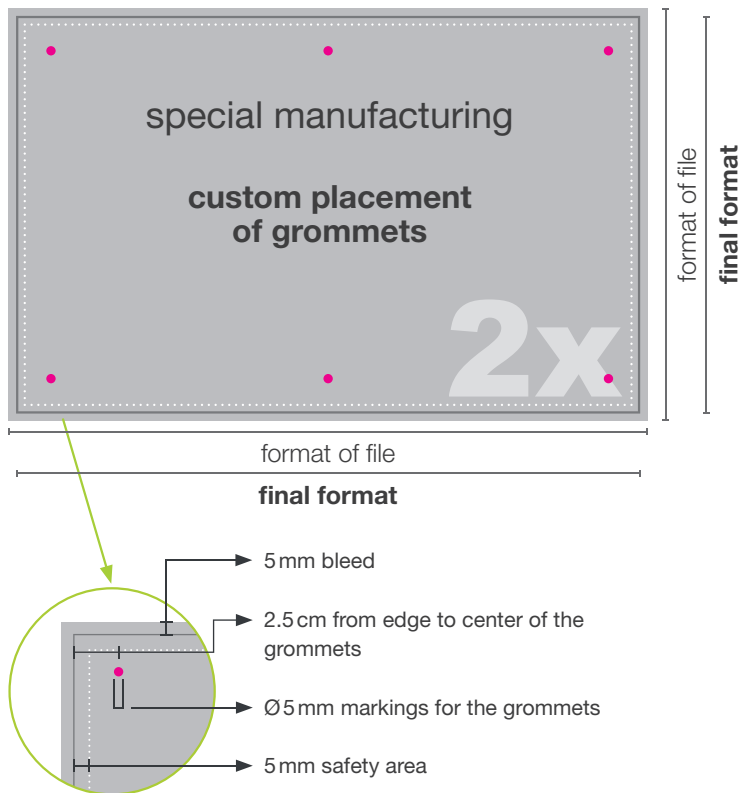
(all specifications are meant for a 1:1 scale)

“Ceiling sign board”

double-sided, incl. grommets

How to create your print file

Special manufacturing *custom placement of grommets*



Please order the sign board in the final format.

Please create your artwork in the final format with a bleed of 5 mm on all sides. Crop and trim marks are not needed.

Double-sided printing:

Double-sided printing is the standard method for this product. Therefore feel free to send us two different artworks in a zipped folder or a two-sided PDF file. We will print your motif on both sides if you send only one artwork. Please leave a note with the order if you prefer an one-sided ceiling banner.

Safety area:

We recommend a safety space of 5 mm from all sides for text, logos or other important elements. We can't guarantee measurements exact to the millimeter.

Custom manufacturing of grommets:

If you wish a different placing of the grommets which differs from standard manufacturing please create a file with markings for the grommets on the exact position. The markings need to be included in the printing file (Ø0.5 cm set to 100% magenta*). **The center of the circle has to have a distance of at least 2.5 cm to the edge.**

The diameter of the grommets is approximately 1.5 cm. Please do not place any important elements such as logos or text in this area. Background graphics or colors should be spread to the edges and be included in the bleed.

* If your motif is in magenta or red, you can also use 100% cyan.

(all specifications are meant for a 1:1 scale)